

Colette & Hugo

Table Lamp

DESIGN | PAOLO CASTELLI



Finishes of the above picture



Fabric
Percale



Muranese glass with
24KT golden leaf
powder

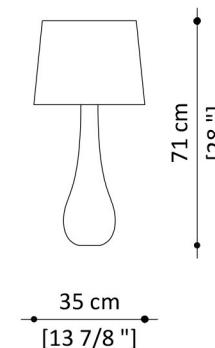
Dalla maestria degli artigiani vetrai di Murano nasce questa amabile coppia di lampade da tavolo. Ne viene proposto un ensemble per enfatizzare la perfetta armonia di forma e stile, amabili tuttavia anche singolarmente per conferire un tocco sofisticato a qualsiasi tipo di ambientazione. La base è a forma di goccia, realizzata in vetro di Murano con all'interno polvere d'oro 24 KT in sospensione, e paralume in tessuto percale realizzato artigianalmente, Hugo, più compatta, ha una forma piena e morbida ed un cappello cilindrico, mentre Colette è slanciata e leggermente più alta, con un paralume rastremato.

Thanks to the Murano glass hand craftsmanship virtuosity, a lovely couple of table lamp has appeared. This ensemble emphasizes the perfect shape and style harmony that can be appreciated also in their singularity in order to give a sophisticated touch to every kind of set. The drop-shape base is made of Muranese glass enclosing a 24 KT golden leaf, the lampshade is in a hand made fabric percale. Hugo, more compact, has a full and soft shape and a cylindrical lampshade; otherwise, Colette is slim and a bit higher with a tapered lampshade.

COLETTE

TECHNICAL SHEET

COLETTE
Light source: E27 light bulb
Lamp socket: E27
Total power: 8 W
Voltage: 230 V
Rated luminous flux: 1055 lm
Colour temperature: 2700°K
Colour rendering index: Ra>80
Dimmer function: No
Weight: Kg 8
Package size: 55 x 55 x 45 cm (lampshade)
Package size: 40 x 40 x 60 cm (base)
Package weight: Kg 3 (lampshade)
Package weight: Kg 10 (base)



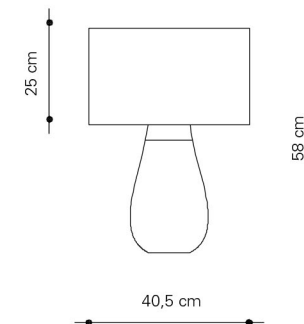
COLETTE | ILL.ALLU.410

Muranese glass with 24KT golden leaf powder- Percale fabric lampshade

HUGO

TECHNICAL SHEET

HUGO
Light source: E27 light bulb
Lamp socket: E27
Total power: 8 W
Voltage: 230 V
Rated luminous flux: 1055 lm
Colour temperature: 2700° K
Colour rendering index: Ra>80
Dimmer function: No
Weight: Kg 8
Package size: 55 x 55 x 45 cm (lampshade)
Package size: 50 x 50 x 50 cm (base)
Package weight: Kg 3 (lampshade)
Package weight: Kg 10 (base)



HUGO | ILL.ALLU.420

Muranese glass with 24KT golden leaf powder- Percale fabric lampshade



CE



◀ Logo decorativo inciso manualmente da abili artigiani.

Decorative logo engraved by hand by expert artisans.